

LSWX SERIES Outdoor Lighting

LSWX-5-30W-30K-PC
LSWX-5-30W-40K-PC
LSWX-5-30W-50K-PC

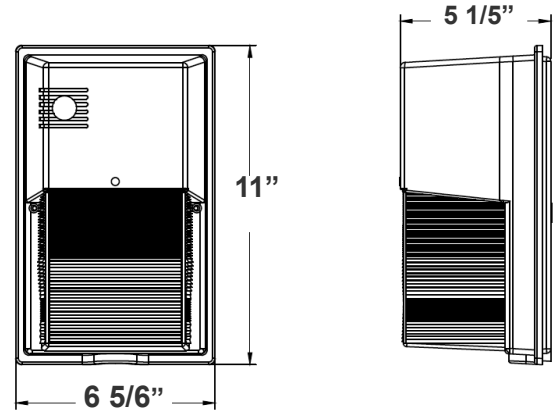
WESTGATE
THE FUTURE IS HERE...AND IT'S QUITE BRIGHT!

Customer Name: _____

Project Name: _____

Note: _____

Type: _____



11" (L) x 6 5/6" (W) x 5 1/5" (H)

LED Non-Cutoff Wall Pack with Photocell is ideal for general site lighting, loading docks, doorway, pathway and parking areas.

Features

- Back plate: Die-cast aluminum
- Threaded 1/2" Knockout Provided on Top Section of the Back
- Polycarbonate Housing & Lens
- 7-Year Warranty
- Multi-Power (The switch is inside the fixture)

Technical Specifications

Electrical:

- Voltage: 120-277VAC 60Hz
- Wattage: 5W 10W 20W 30W
- Power Factor: >0.90
- Efficacy: 124 LPW
- Includes Pre-wired Photo Electric Control (Dusk to Dawn Photocell), 120 Volt, Removable
- Photocell Response Time: Maximum 3 Seconds

Mechanical:

- Back plate: Aluminum LED board: High Conductive, Waterproof, Aging Resistance, Salt Mist Resistance
- Threaded 1/2" Knockout Provided on Top Section of the Back
- Polycarbonate Housing & Lens
- Non-Cutoff Optics Ideal for Maximum Light Distribution
- Operating Temperature: -4°F -104°F
- Wet Location
- 7-Year Warranty
- IP54

Lighting:

- Dimmable: 0~10V Dimming
- LED Type/Brand: 2835LUMILEDS
- Front: Polycarbonate Lens and Housing
- Multi-Power (The switch is inside the fixture)
- Total Lumens: 3600LM Max.
- Color Temperatures: 3000K/ 4000K/ 5000K
- Color Rendering Index: CRI ≥ 70
- Beam Angle: 90° x 110°
- Rated life: 70,000 Hrs

Applications:

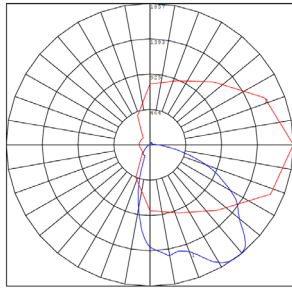
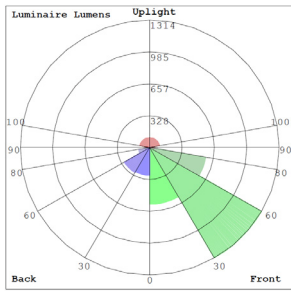
- Ideal for general site lighting, loading docks, doorway, pathway and parking areas.



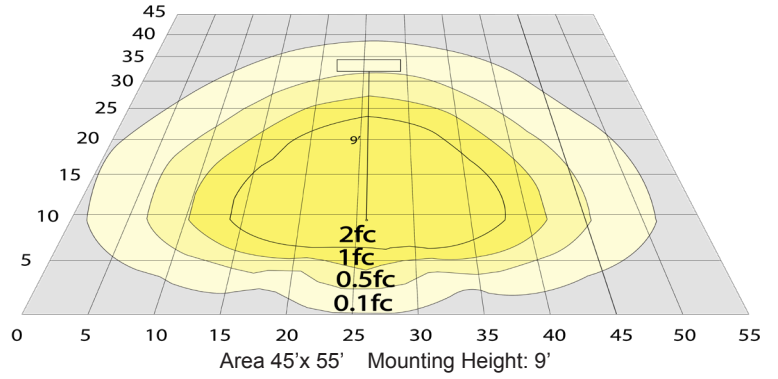
Phone: (877) 805-2252 | Fax: (877) 805-2252
www.westgatemfg.com | www.westgatecontrols.co



Photometrics: LSWX-5-30W-PC



BUD Rating: B1-U3-G1



Other Views:



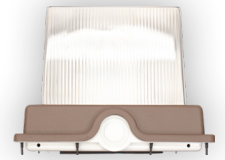
Side View



Front View



Back View



Bottom View

Performance Table: LSWX-5-30W-PC

MODEL NO.	Wattage	Voltage	Lumens	Color Temp.	BUG Rating	LPW
LSWX-5-30W-30K-PC LSWX-5-30W-40K-PC LSWX-5-30W-50K-PC	5W	120~277V	600LM	3000K 4000K 5000K	B1-U3-G1	124
			630LM			
			660LM			
	10W		1350LM			
			1400LM			
			1450LM			
	20W		2650LM			
			2730LM			
			2800LM			
	30W		3450LM			
			3550LM			
			3600LM			



Sample Ordering

Model	Min.	Max.Wattage	Color Temp.	Feature
LSW	5	30	<input type="text"/>	PC

30K = 3000K
40K = 4000K
50K = 5000K

Factory-Installed Options:

Blank = No Option For Accessories
OPT-NOPC = REMOVE PHOTOCELL
OPT-SEN-SLPIR = EXTERNAL SECURITY LIGHT TYPE PIR MOTION SENSOR

FACTORY-INSTALLED OPTIONS:



OPT-SEN-SLPIR

Example:

1. LSWX-5-30W--50K-PC
2. LSWX-5-30W--50K-PC
OPT-NOPC

(FOR LSWX 30W 5000K FIXTURE 120-277V)

(FOR LSWX 30W 5000K FIXTURE 120-277V)
(REMOVE PHOTOCELL)

